

PIEZOELECTRIC MICRO PUMP

Highly Inert Models APP Series



Uses only PEEK and Perfluoroelastomer as wetted materials.
Most suitable for aggressive chemicals, solvents, etc.

Features

- Small-sized, lightweight and slim.
- Typical flow is 15 ml/min, which is adjustable by changing drive voltage or drive frequency.
- Low noise and low power consumption.
- PPS or FPM is optionally available as wetted materials.
- Self-priming is possible.

Specifications

| | |
|-----------------------|---|
| Model Number | APP-20KG |
| Pump Type | Piezoelectric Diaphragm Pump |
| Flow Rate | 15 ml/min (typical) |
| Pump Pressure | 25 kPa |
| Drive Voltage | 60 - 250 Vp-p |
| Drive Frequency | 10 - 60 Hz |
| Suction Load Pressure | - 1.0 kPa |
| Operating Temperature | 5 - 50 °C |
| Wetted Materials | PTFE, PEEK (polyether ether ketone) and Perfluoroelastomer |
| External Dimensions | 33 × 33 × 9 mm |
| Weight | 17 g |

Note: Details including specifications may change without notification.

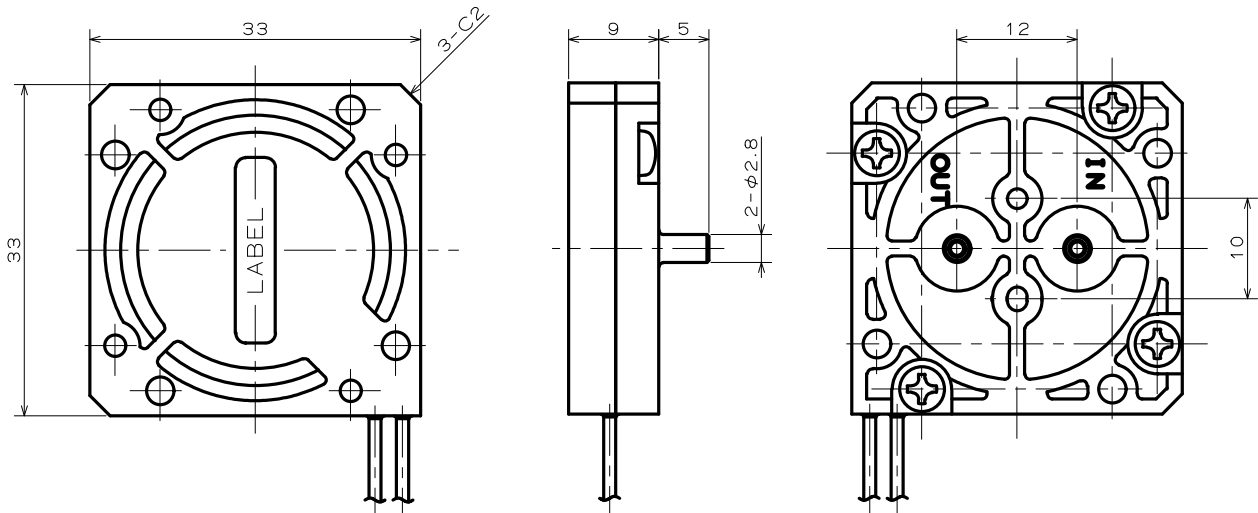
TAKASAGO ELECTRIC, INC.

66 KAKITSUBATA, NARUMI-CHO, MIDORI-KU, NAGOYA, 458-8522 JAPAN

Tel +81-52-891-2301 Fax+81-52-891-7386

E-mail: info@takasago-elec.co.jp URL: <http://www.takasago-elec.com/>

External Dimensions



Driver board MPD-200A

This driver board is a thin, compact and lightweight, yet high-voltage circuit board, designed for the piezoelectric micro pumps. From a regular 5 VDC input voltage, it can easily generate the high voltage supply of approximately 250 Vp-p, 40 Hz necessary for driving the micro pumps.



| Item | Specifications |
|-----------------------------|------------------------------|
| Input Voltage | 5 VDC \pm 5% |
| Output Frequency | 1 - 60 Hz |
| Output Voltage | 50 - 340 Vp-p |
| Number of Pumps Connectable | 2 pieces (maximum) |
| External Dimensions, Weight | 30 x 30 x 15 mm, approx. 9 g |

Controller MPC-200A

This is a compact and lightweight controller that can provide the high voltage power necessary for driving the micro pumps. It is user-friendly with a front panel digital display for configuring the output voltage and output frequency, and a memory function to store the latest setting used.



| Item | Specifications |
|-----------------------------|---------------------------------|
| Input Voltage | 5 VDC \pm 5% |
| Output Frequency | 1 - 60 Hz |
| Output Voltage | 60 - 300 Vp-p |
| Number of Pumps Connectable | 2 pieces (maximum) |
| External Dimensions, Weight | 75 x 34 x 100 mm, approx. 140 g |
| Attachment | AC adapter |

Tygon® tubing (accessory)

Product Name : Tygon® 2001 (for methanol)

Size: I.D. 2.38 mm

* Note : If the flow decreases with the above tubing, please use the larger size tubing.

* Tygon® : T.M. of Saint-Gobain Performance Plastics.