

TAKASAGO

Small Double-Tube Pinch Valve **PM Series**

PM-1015W

PM-0815W



- Dual-tubing : Normally closed and Normally open
3-way valve operation available with Y-shape fitting
- Also suitable for single tube valve use (N.C. or N.O.)
- Compact size and reasonable price achieved by our moulding technology
- Pressure : 150 kPa (1.5 bar)
- Long life made possible by using PharMed™ tube

TAKASAGO ELECTRIC, INC.

66 KAKITSUBATA, NARUMI-CHO, MIDORI-KU, NAGOYA, 458-8522 JAPAN

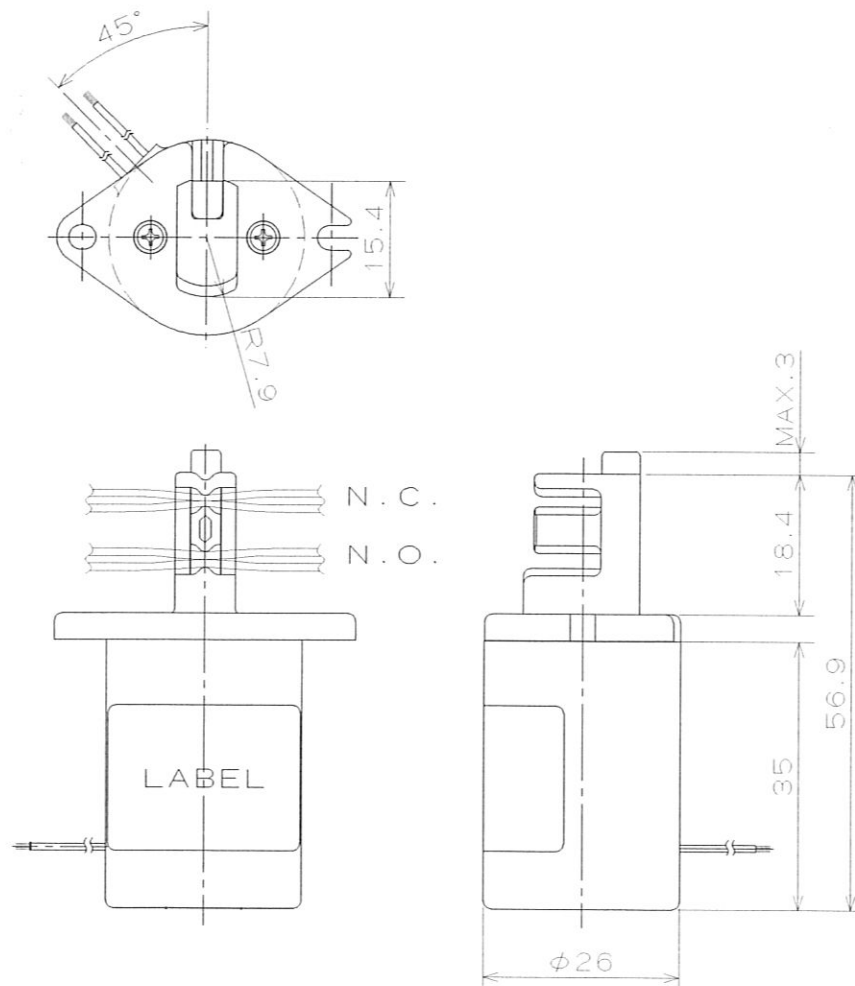
TEL: +81 52 891 2301 FAX: +81 52 891 7386

E-mail: info@takasago-elec.co.jp URL: <http://www.takasago-elec.co.jp>

SPECIFICATIONS

	PM-1015W	PM-0815W
Tube Size	ID 1.0 mm × OD 3.0 mm	ID 0.8 mm × OD 2.4 mm
Tube Material	Silicone Rubber PharMed™	Silicone Rubber PharMed™ , Tygon™
Operating Pressure Range	0 - 150 kPa (0 - 1.5 bar)	
Ambient Temperature Range	10 - 50°C	
Rated Voltage	12VDC, 24VDC, 100VAC	
Power Consumption	4.4W (100VAC : 5W)	
Operating Duty	Continuous Duty	
Coil Temperature Increase	Max. 75°C From Room Temperature (when continuously energied)	
Insulation Class	Class B	
Insulation Resistance	50 MΩ (using 500VDC Megger)	
Dielectric Strength	1500VAC for 1min	
Weight	89 g	

DIMENSIONS



* "PharMed" , "Tygon" : T.M. of Norton Company