

FOR REFERENCE ONLY

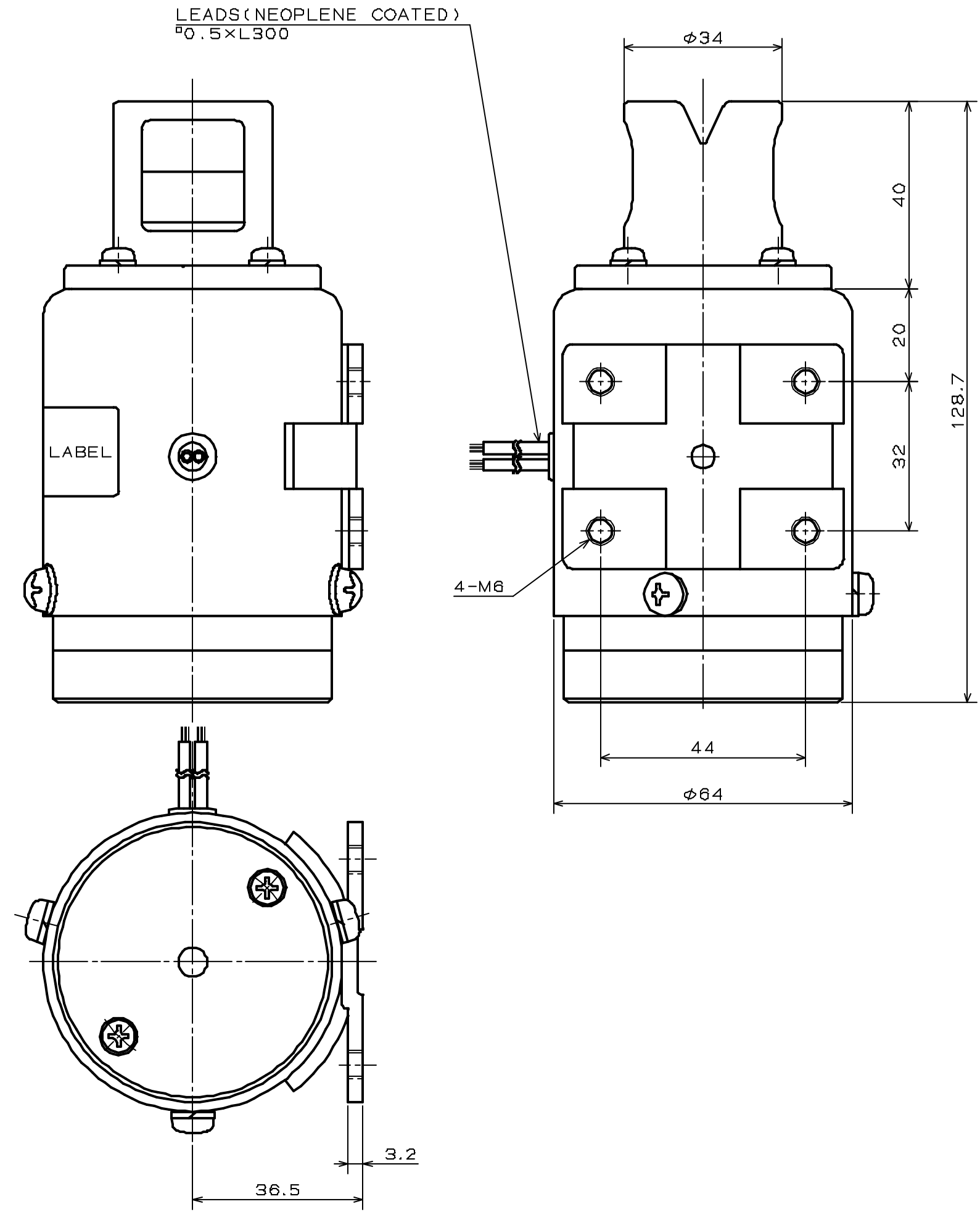
PINCH VALVE

SPECIFICATIONS for MODEL EL-1005

- COIL TYPE : LATCH
- TUBE DIAMETER : I.D. 10mm O.D. 13mm
- TUBE MATERIAL : SILICONE
- OPERATING PRESSURE RANGE : 0 ~ 50kPa (0 ~ 0.5bar)
- RATED VOLTAGE : 12VDC, 24VDC
- RESPONSE TIME : LESS THAN 1s
- POWER CONSUMPTION : 15W
- AMBIENT TEMPERATURE RANGE : -10 ~ 40°C
- INSULATION CLASS : CLASS B
- DIERECTRIC STRENGTH : 1500VAC FOR 60s

NOTES : THE TABLE OF LEAD COLOR, POLARITY AND VALVE STATUS

| POLARITY | STATUS | |
|---------------|--------|-------|
| | CLOSE | OPEN |
| +12VDC/+24VDC | BLUE | WHITE |
| GND | WHITE | BLUE |



| PART NAME | MATERIAL | REQD. | NOTE |
|-------------|----------|-------|------|
| PINCH VALVE | | | |
| EL-1005 | | | |