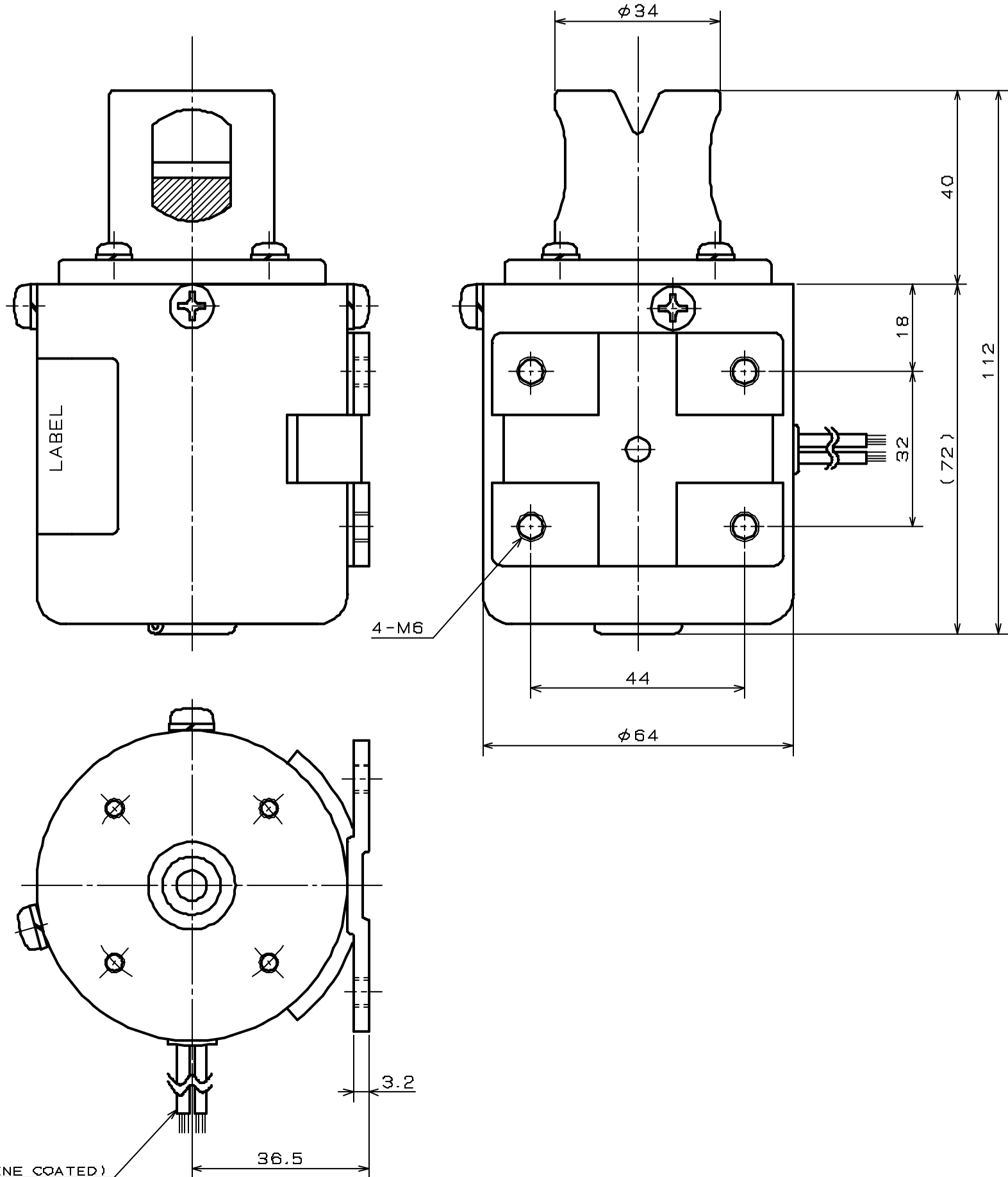


FOR REFERENCE ONLY

PINCH VALVE

SPECIFICATIONS for MODEL EPK-1005-NC

- TUBE DIAMETER : I.D. 10mm O.D. 13mm
- TUBE MATERIAL : SILICONE
- OPERATING PRESSURE RANGE : 0 ~ 50kPa  
(0 ~ 0.5bar)
- AMBIENT TEMPERATURE RANGE : -10 ~ 40°C
- RATED VOLTAGE : 12, 24, 90, 180VDC  
100, 200VAC (WITH SILICON RECTIFIER)
- POWER CONSUMPTION : 60W (AT RATED VOLTAGE)
- DUTY CYCLE : INTERMITTENT  
5min (AT RATED VOLTAGE)  
ED-10%
- INSULATION CLASS : CLASS E
- DIELECTRIC STRENGTH : 1500VAC FOR 60s



PART NAME	MATERIAL	REQD.	NOTE
PINCH VALVE			
EPK-1005-NC			