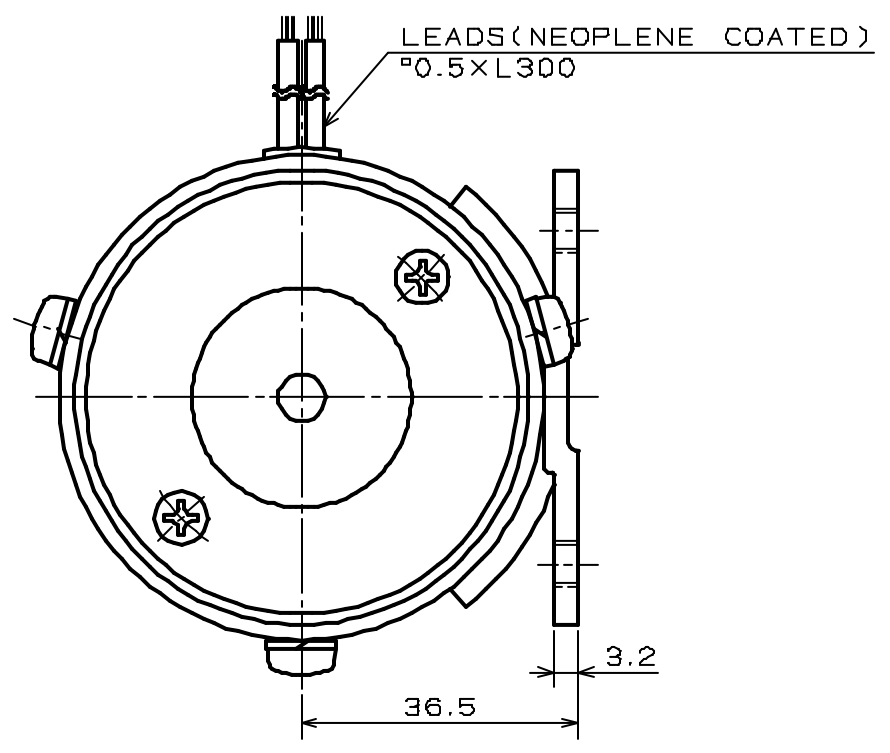
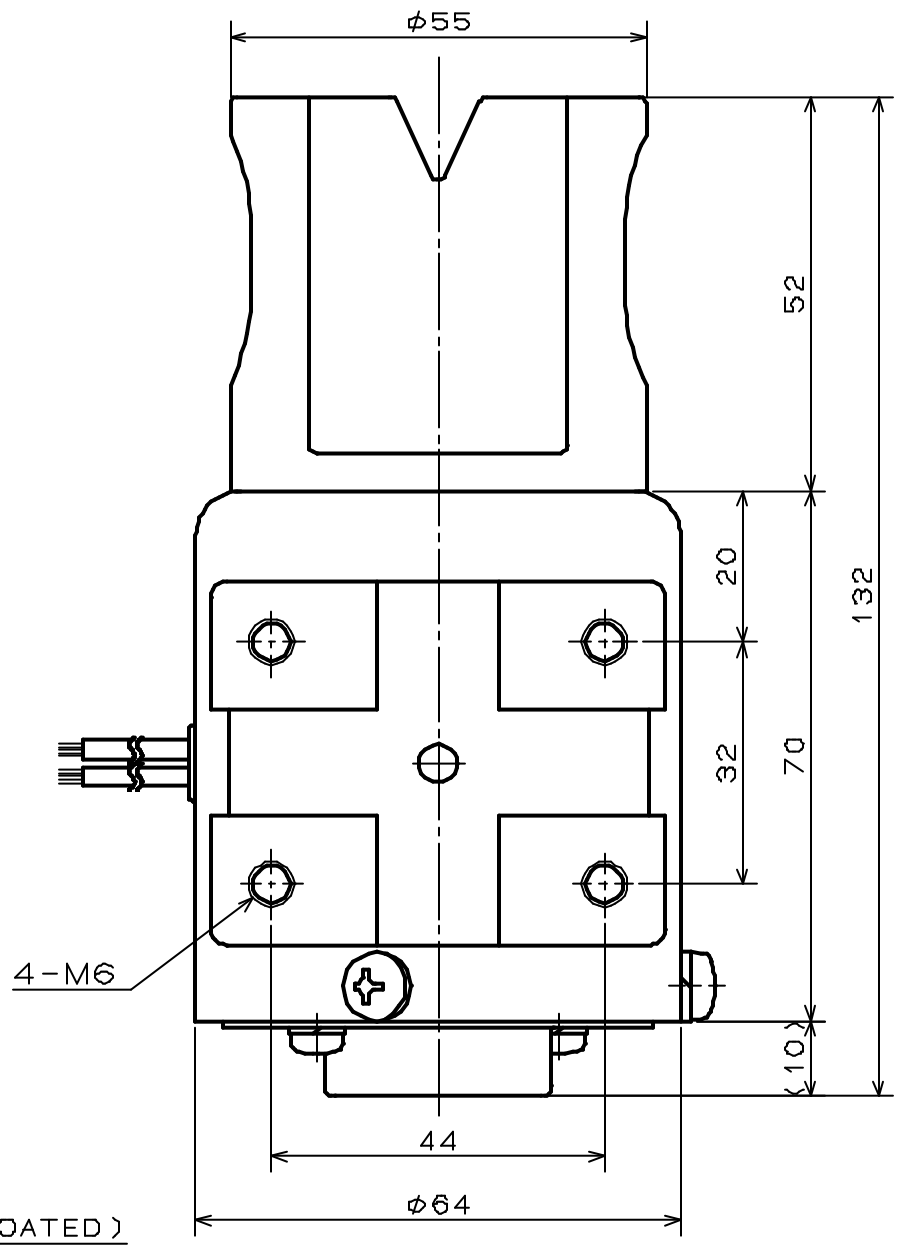
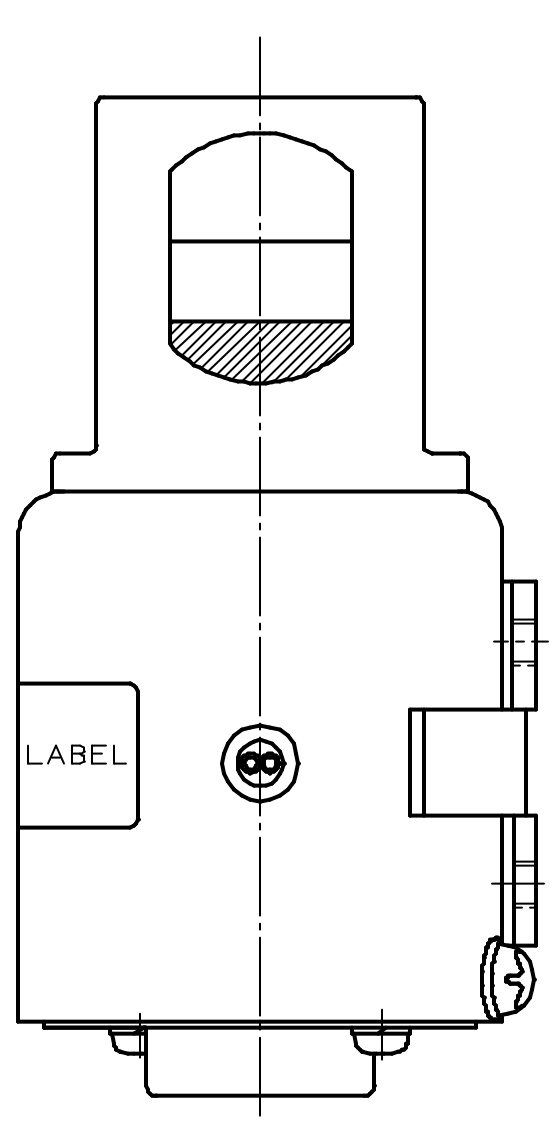


FOR REFERENCE ONLY

PINCH VALVE

SPECIFICATIONS for MODEL EPK-1502-NO

- TUBE DIAMETER : I.D.15mm O.D.19mm
- TUBE MATERIAL : SILICONE
- OPERATING PRESSURE RANGE : 0 ~ 20kPa
(0 ~ 0.2bar)
- AMBIENT TEMPERATURE RANGE : -10°C~40°C
- RATED VOLTAGE : 12VDC, 24VDC, 90VDC, 180VDC
100VAC, 200VAC
(SILICON RECTIFIER ATTACHED)
- POWER CONSUMPTION : 60W
- DUTY CYCLE : 10% OR LESS. MAX 5 min
- COIL TEMPERATURE INCREASE : MAX 80°C FROM ROOM TEMPERATURE
- INSULATION CLASS : CLASS E
- DIERECTRIC STRENGTH : 1500VAC FOR 60s



PART NAME	MATERIAL	REQD.	NOTE
PINCH VALVE			
EPK-1502-NO			