

FOR REFERENCE ONLY

SOLENOID VALVE

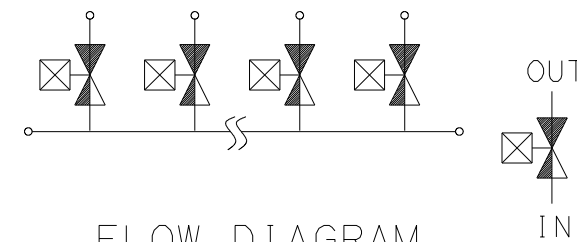
SPECIFICATIONS for MODEL EXV-2X-XXX

- ORIFICE DIAMETER : 1mm
- PORT CONNECTION : M6, 1/4-28UNF
- OPERATING PRESSURE RANGE : IN -20 ~ 200kPa
{-150mmHg ~ 2bar}
- FLUID MEDIA : FLUIDS CHEMICALLY COMPATIBLE WITH MATERIALS BELOW
- MEDIA TEMPERATURE RANGE : 5 ~ 40°C
- AMBIENT TEMPERATURE RANGE : 5 ~ 40°C
- RATED VOLTAGE : 12VDC, 24VDC
- POWER CONSUMPTION : 2.8W×n
- DUTY CYCLE : CONTINUOUS
- COIL TEMPERATURE INCREASE : MAX. 110°C FROM ROOM TEMPERATURE
- INSULATION CLASS : CLASS F
- DIELECTRIC STRENGTH : 1500VAC FOR 60s

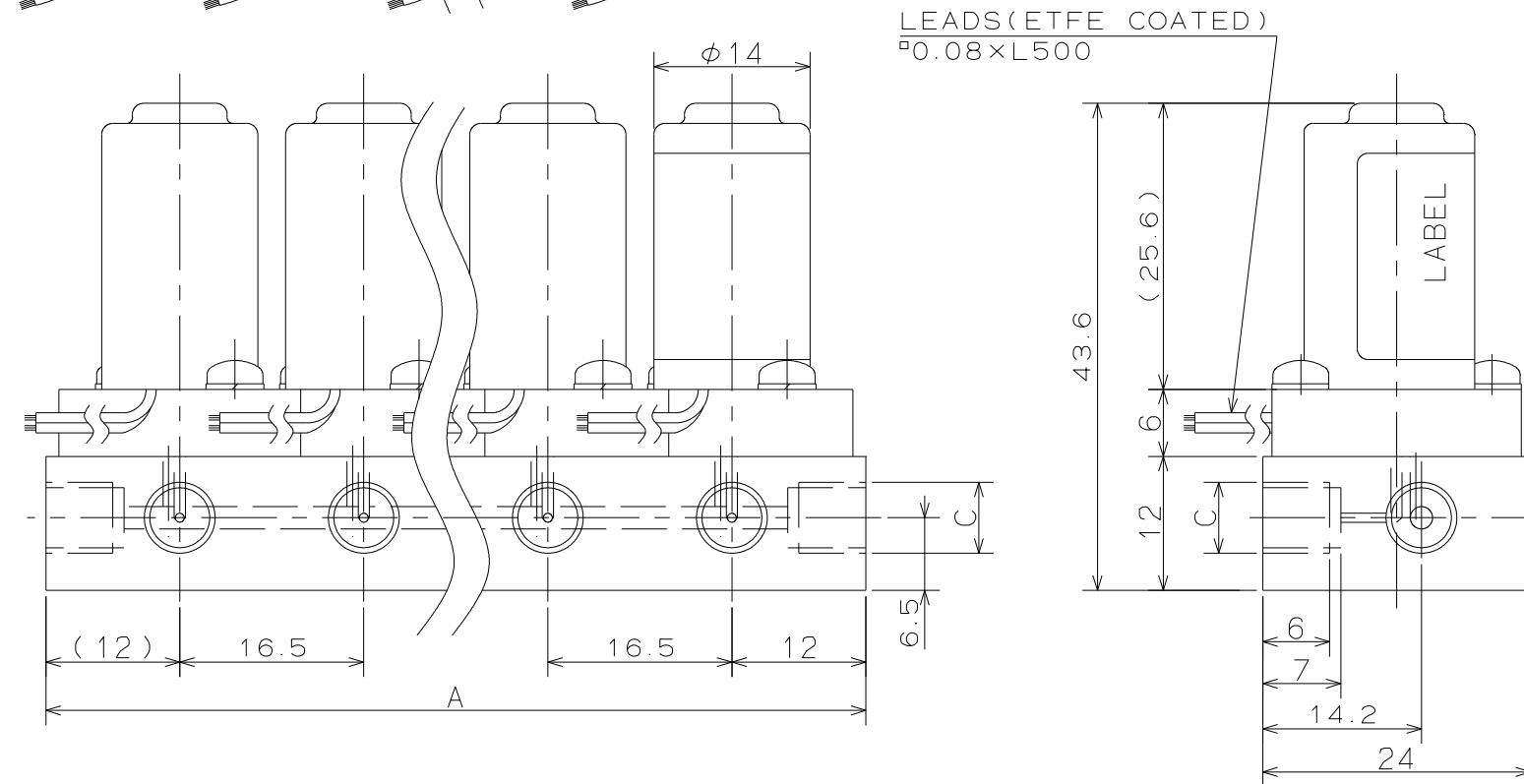
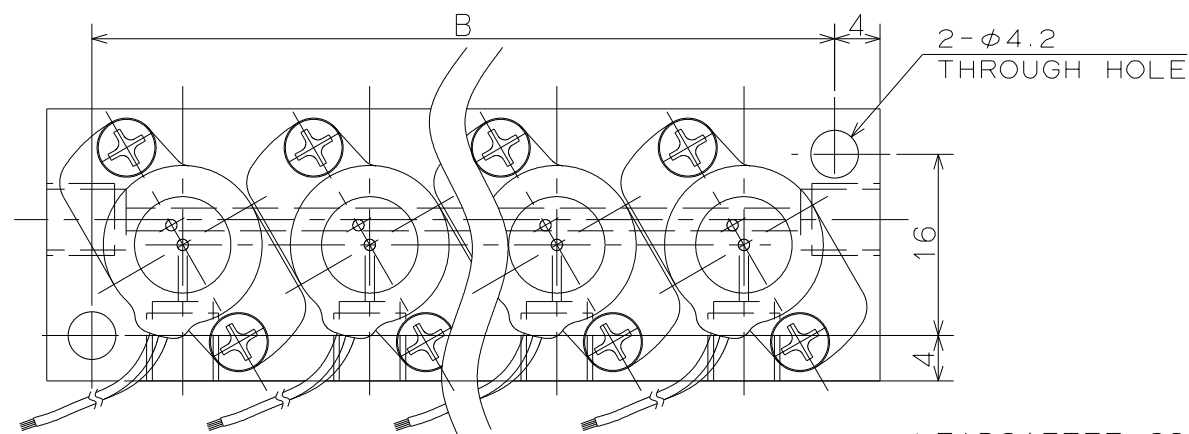
NOTES

EXV-2X-XXX

BODY MATERIAL		NUMBER OF VALVES	PORT CONNECTION		SOFT SEALER MATERIAL	
K	PEEK	2	M	M6	F	FPM
R	PPS	3	U	1/4-28UNF	G	DAI E L PERFLUOR
		4				
		5				
		6				



FLOW DIAGRAM



DIMENSION TABLE

n (NUMBER OF VALVES)	DIMENSION		
	A	B	C
2	40.5	32.5	M6, 1/4-28UNF
3	57.0	49.0	M6, 1/4-28UNF
4	73.5	65.5	M6, 1/4-28UNF
5	90.0	80.0	M6, 1/4-28UNF
6	106.5	88.5	M6, 1/4-28UNF

WETTED MATERIALS

PART NAME	MATERIAL	REQD.	NOTE
DIAPHRAGM	PTFE	n	
SOFT SEAL	FPM/DAI E L PERFLUOR	n	
GASKET	FPM/DAI E L PERFLUOR	n	
VALVE BODY	PEEK/PPS	n	
MANIFLOD	PEEK	1	

PART NAME	MATERIAL	REQD.	NOTE
SOLENOID VALVE			
			EXV-2X-XXX