

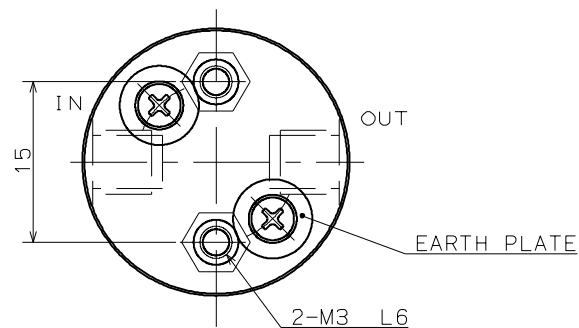
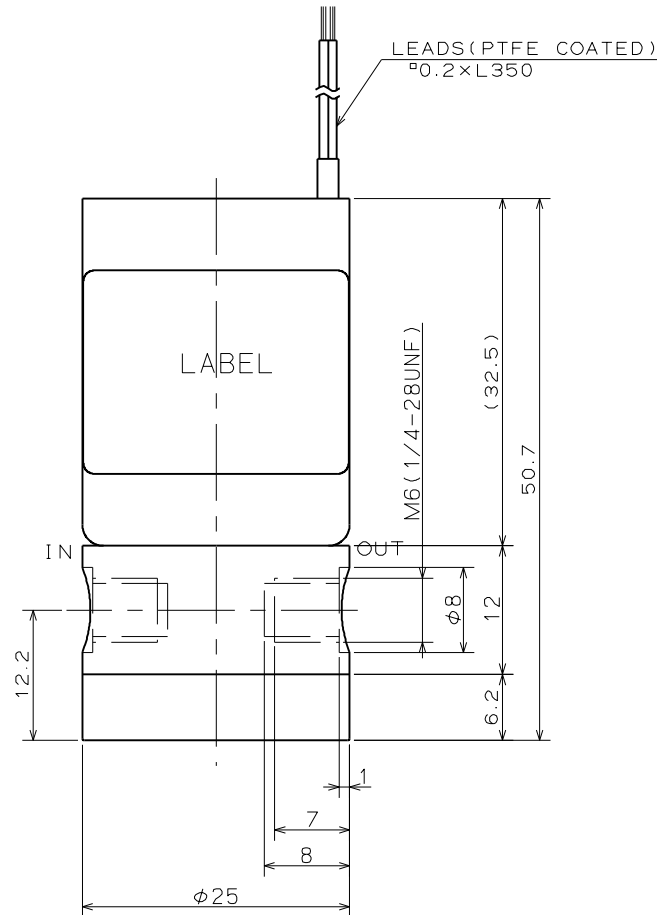
FOR REFERENCE ONLY

SOLENOID VALVE

SPECIFICATIONS for MODEL MTV-2-M6(1/4UF)

- ORIFICE DIAMETER : 1.6mm
- PORT CONNECTION : M6, 1/4-28UNF
- OPERATING PRESSURE RANGE : IN -50 ~ 300kPa
(-375mmHg ~ 3bar)
- OUT 0 ~ 100kPa
(0 ~ 1bar)
- FLUID MEDIA : FLUIDS CHEMICALLY COMPATIBLE WITH MATERIALS BELOW
- MEDIA TEMPERATURE RANGE : 0 ~ 70°C
- AMBIENT TEMPERATURE RANGE : 0 ~ 50°C
- RATED VOLTAGE : 12VDC, 24VDC
100VAC (SILICONE RECTIFIER ATTACHED)
- POWER CONSUMPTION : 1.9W
- DUTY CYCLE : CONTINUOUS
- COIL TEMPERATURE INCREASE : MAX. 45°C FROM ROOM TEMPERATURE
- INSULATION CLASS : CLASS B
- DIELECTRIC STRENGTH : 1500VAC FOR 60s
- NOTE :

MODEL NUMBER	PORT CONNECTION
MTV-2-M6	M6
MTV-2-1/4UF	1/4-28UNF



WETTED MATERIALS

PART NAME	MATERIAL	REQD.	NOTE
DIAPHRAGM	PTFE	1	
VALVE BODY	PTFE/PCTFE	1	
SOLENOID VALVE			
MTV-2-M6(1/4UF)			