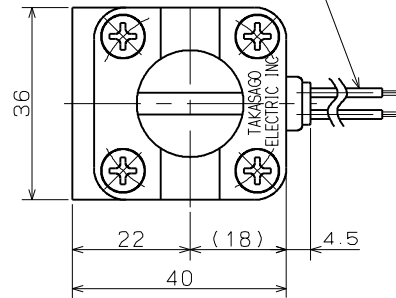


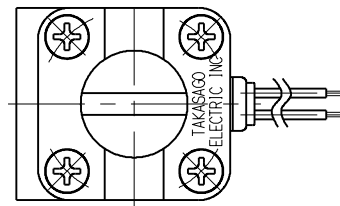
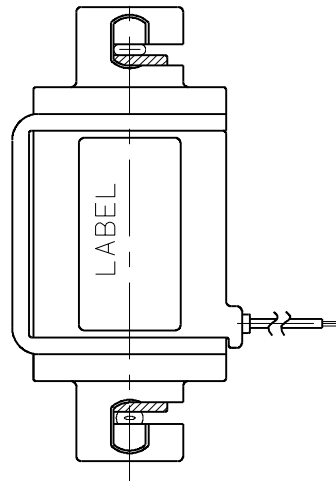
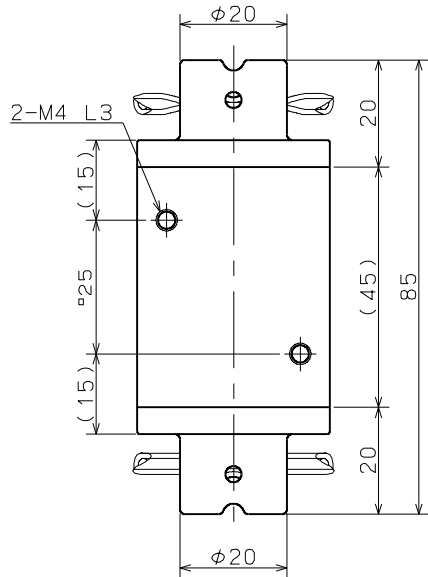
LEADS (RAD WIRE V)  
AWG22 UL1430 L300



## PINCH VALVE

### SPECIFICATIONS for MODEL NP-0205-DR

TUBE DIAMETER	:	I.D. 2mm	O.D. 4mm
TUBE MATERIAL	:	PharMed <sup>®</sup>	
OPERATING PRESSURE RANGE	:	0 ~ 50kPa	
AMBIENT TEMPERATURE RANGE	:	5 ~ 40°C	
RATED VOLTAGE	:	12VDC, 24VDC, 90VDC 100VAC (50/60Hz)	SILICON RECTIFIER ATTACHED
POWER CONSUMPTION	:	10W	
DUTY CYCLE	:	CONTINUOUS	
COIL TEMPERATURE INCREASE	:	MAX. 90°C FROM ROOM TEMPERATURE	
INSULATION CLASS	:	CLASS B	
DIELECTRIC STRENGTH	:	1500VAC FOR 60s	



PART NAME	MATERIAL	REQD.	NOTE
PINCH VALVE			
	NP-0205-DR		