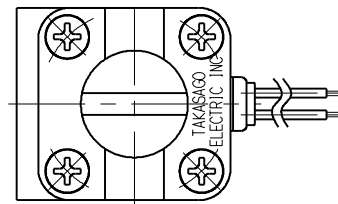
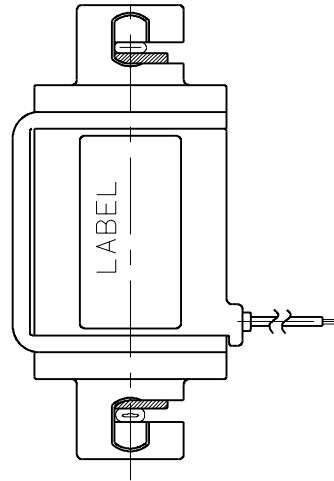
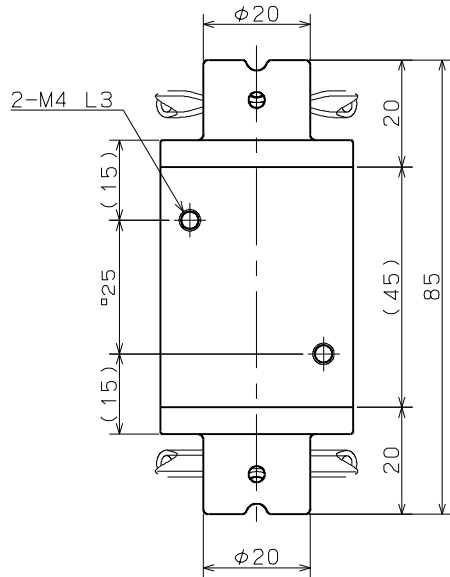


# PINCH VALVE

## SPECIFICATIONS for MODEL NP-0305-DR

TUBE DIAMETER	: I.D. 3mm O.D. 5mm
TUBE MATERIAL	: SILICONE
OPERATING PRESSURE RANGE	: 0 ~ 50kPa
AMBIENT TEMPERATURE RANGE	: 5 ~ 40°C
RATED VOLTAGE	: 12VDC, 24VDC, 90VDC 100VAC (50/60Hz) SILICON RECTIFIER ATTACHED
POWER CONSUMPTION	: 10W
DUTY CYCLE	: CONTINUOUS
COIL TEMPERATURE INCREASE	: MAX. 90°C FROM ROOM TEMPERATURE
INSULATION CLASS	: CLASS B
DIELECTRIC STRENGTH	: 1500VAC FOR 60s



PART NAME	MATERIAL	REQD.	NOTE
PINCH VALVE	NP-0305-DR		