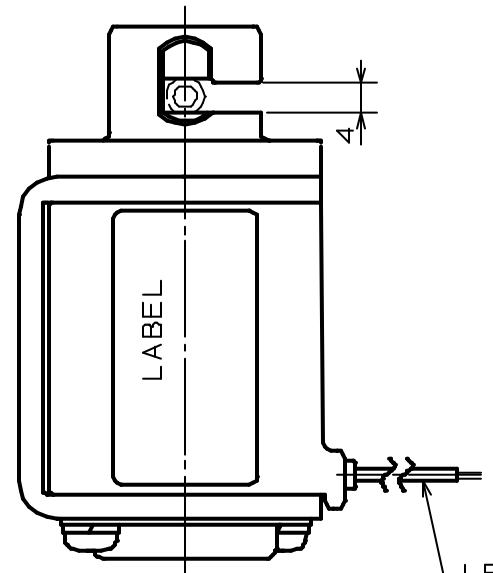
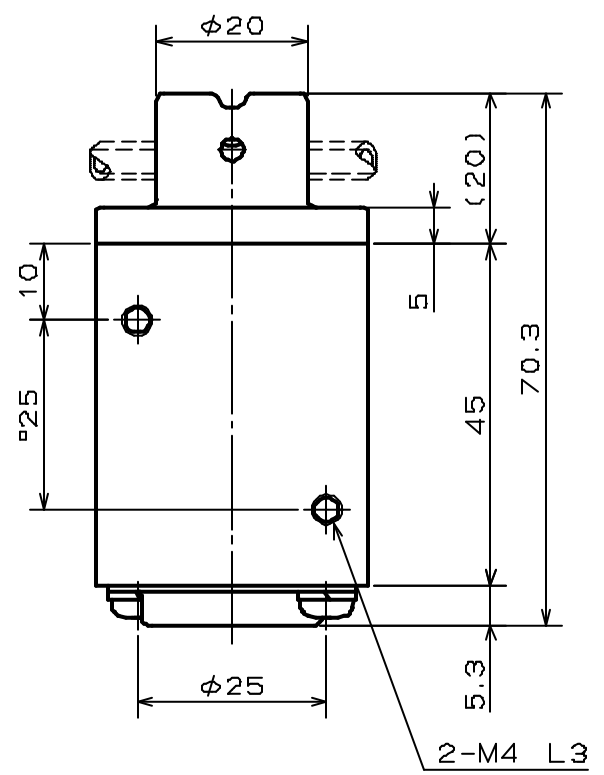
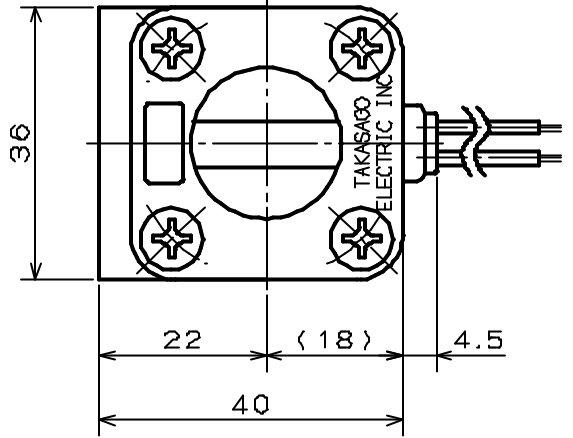


FOR REFERENCE ONLY

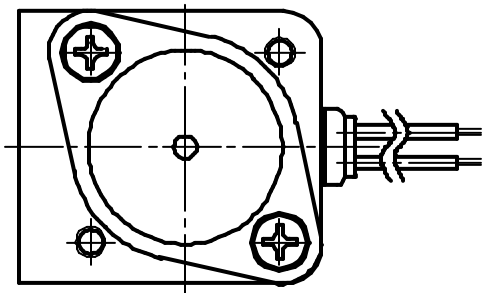
PINCH VALVE

SPECIFICATIONS for MODEL NP-0305-NO

- TUBE DIAMETER : I.D. 3mm O.D. 5mm
- TUBE MATERIAL : SILICONE
- OPERATING PRESSURE RANGE : 0 ~ 50kPa
- AMBIENT TEMPERATURE RANGE : 0 ~ 40°C
- RATED VOLTAGE : 12VDC, 24VDC, 90VDC
100VAC, 200VAC SILICON RECTIFIER ATTAVHED
- POWER CONSUMPTION : 10W
- DUTY CYCLE : CONTINUOUS
- COIL TEMPERATURE INCREASE : MAX. 90°C FROM ROOM TEMPERATURE
- INSULATION CLASS : CLASS B
- DIELECTRIC STRENGTH : 1500VAC FOR 60s



LEAD WIRES (RAD WIRE V)
AWG22 UL1430 L300



PART NAME	MATERIAL	REQD.	NOTE
PINCH VALVE			
	NP-0305-NO		