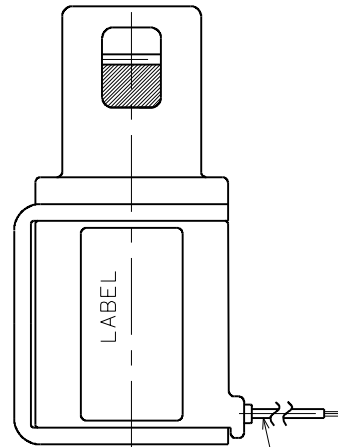
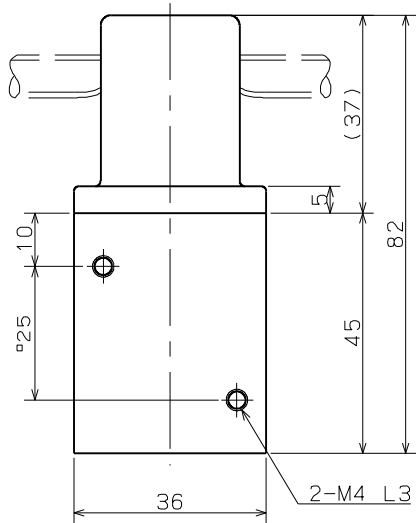
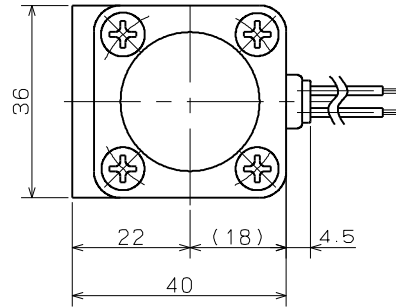


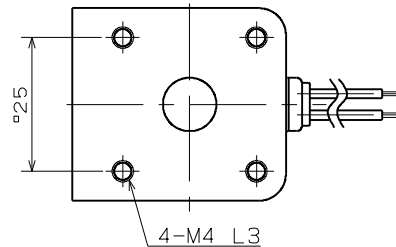
PINCH VALVE

SPECIFICATIONS for MODEL NP-6405-NC

TUBE DIAMETER	: I.D. 6.4mm. O.D. 9.6mm
TUBE MATERIAL	: SILICONE
OPERATING PRESSURE RANGE	: 0 ~ 50kPa
AMBIENT TEMPERATURE RANGE	: 0 ~ 40°C
RATED VOLTAGE	: 12VDC, 24VDC, 90VDC 100VAC, 200VAC (SILICON RECTIFIER ATTACHED)
POWER CONSUMPTION	: 10W
DUTY CYCLE	: CONTINUOUS
COIL TEMPERATURE INCREASE	: MAX. 90°C FROM ROOM TEMPERATURE
INSULATION CLASS	: CLASS B
DIELECTRIC STRENGTH	: 1500VAC FOR 60s



LEADS (RAD WIRE V)
AWG22 UL1430 L300



PART NAME	MATERIAL	REQD.	NOTE
PINCH VALVE	NP-6405-NC		